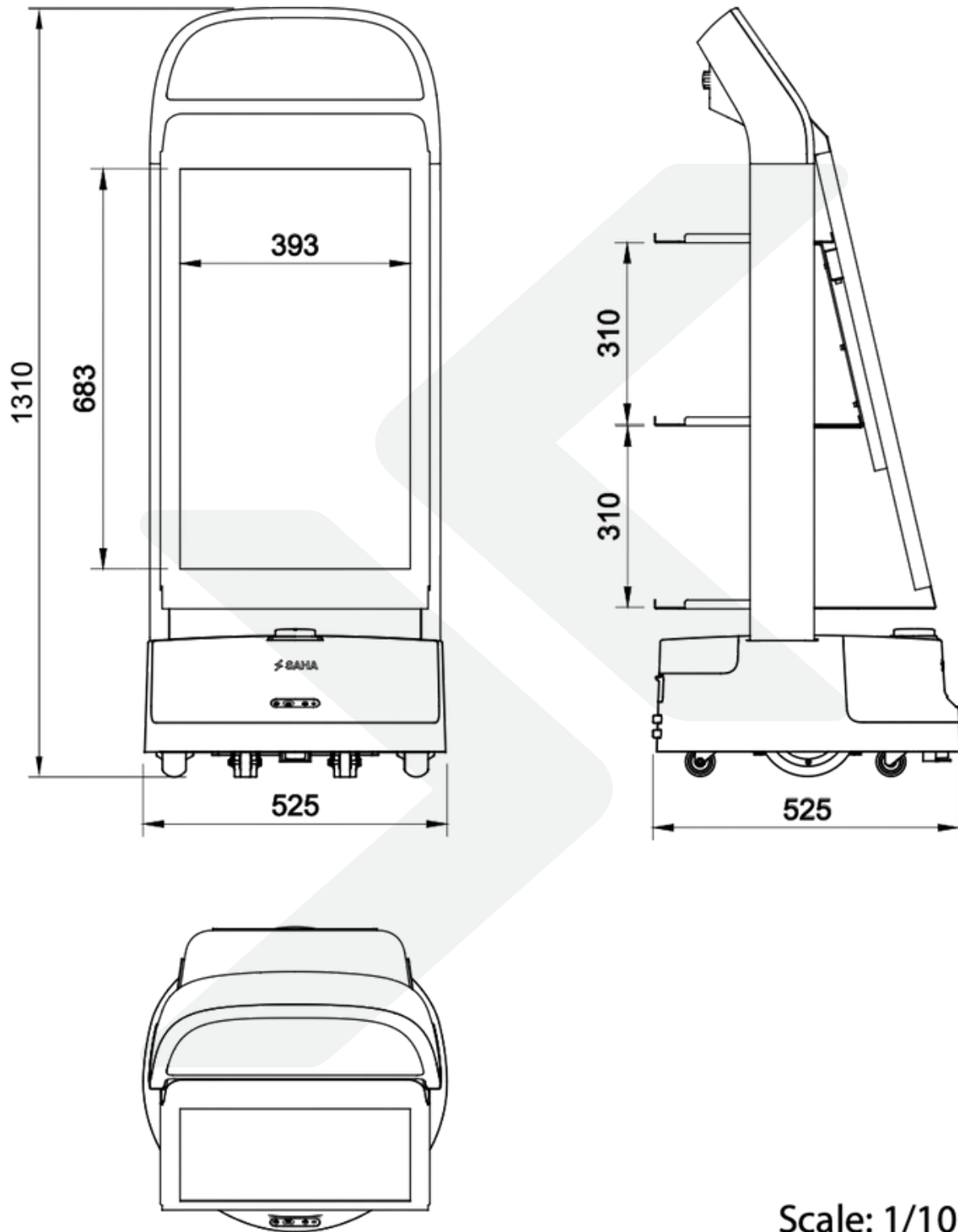


Technical Drawings



Scale: 1/10